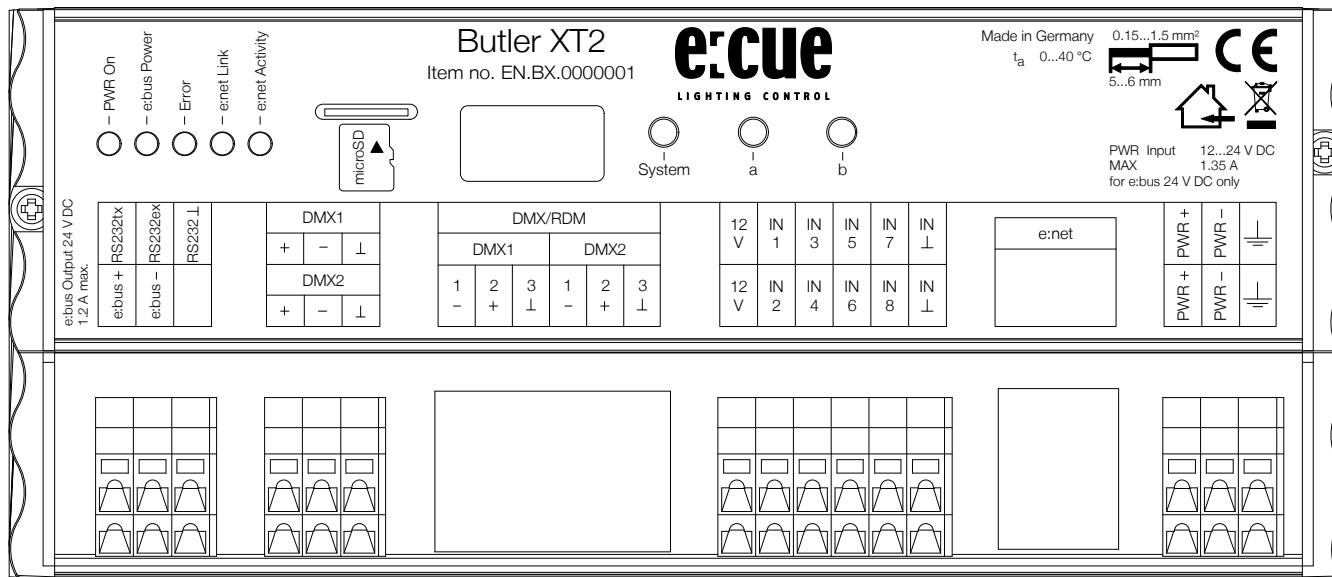
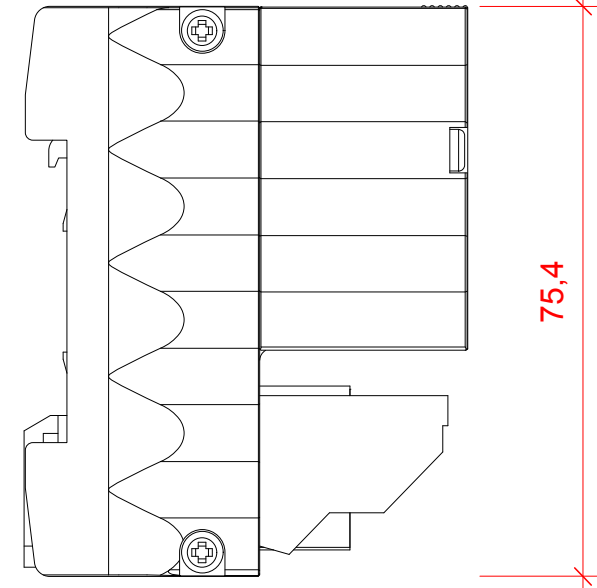


58,5



177



75,4

M 1:1

Butler_XT2

Scale: Overview_M_1:1
 Contact: Industrial_Engineering_Department | damian.sale@ecue.de
 holger.ruether@ecue.de | andreas.snopkowski@ecue.de
 Drawer:

DIN_A4
 January_2013
 01_of_01

